

# Tuffy Hoist Catalog



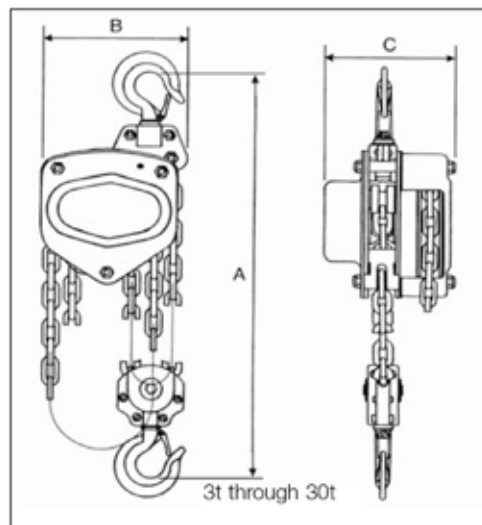
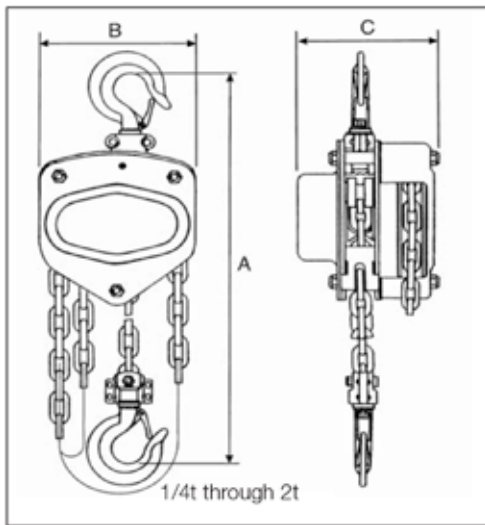
**TUFFY**  
CHAIN HOISTS



## MODEL: CF

### FEATURES:

- Overload clutch standard feature on chain hoists
- Modern small body, compact, stamped steel construction
- Fully machined steel load sheaves
- Cast steel hook latches instead of stamped steel
- Fully enclosed gear train and caged internal bearings
- All exposed parts plated or powder coated for corrosion protection
- Bottom hooks of chain hoists equipped with roller thrust bearings
- Top & bottom hook tips with cast self-locking latches, for increased safety
- Double pawl Weston style load brake
- Conforms to ASME B30.16 - Chain Hoists and Standard B30.21 - Lever Hoists



Model	Working Load Limit	Standard Lift	Chain Size	Falls of Chain	Effort to Lift Rated Load (lbs.)	Net Weight with 10 ft of Lift (lbs.)	Dimensions (inches)			
							A	B	C	Hook Openings
TUF-CF05	0.5t	10 ft	6	1	51	22	10.64	5.00	5.16	.99
TUF-CF10	1t	10 ft	8	1	66	26	12.49	6.23	5.52	.99
TUF-CF1.5	1.5t	10 ft	8	1	70	30	15.7	7.36	6.34	1.42
TUF-CF20	2t	10 ft	8	1	77	49	16.31	7.37	6.34	1.32
TUF-CF30	3t	10 ft	8	2	60	71	18.32	8.27	6.34	1.58
TUF-CF50	5t	10 ft	10	2	90	102	25.06	9.97	6.34	1.97
TUF-CF7.5	7.5t	10 ft	10	3	90	140	30.24	14.8	7.24	1.97
TUF-CF100	10t	10 ft	10	4	90	183	31.42	14.1	8.15	2.52
TUF-CF150	15t	10 ft	10	8	90 x 2	374	35	25.6	8.46	3.35
TUF-CF200	20t	10 ft	10	8	*Call for dimensions on larger sizes*					
TUF-CF300	30t	10 ft	10	12						
TUF-CF500	50t	10 ft	10	20						

**NOTE:** Please specify chain length required when ordering, by adding a -5, -10, -15, -20 to the end of model number. Standard is 10 ft.

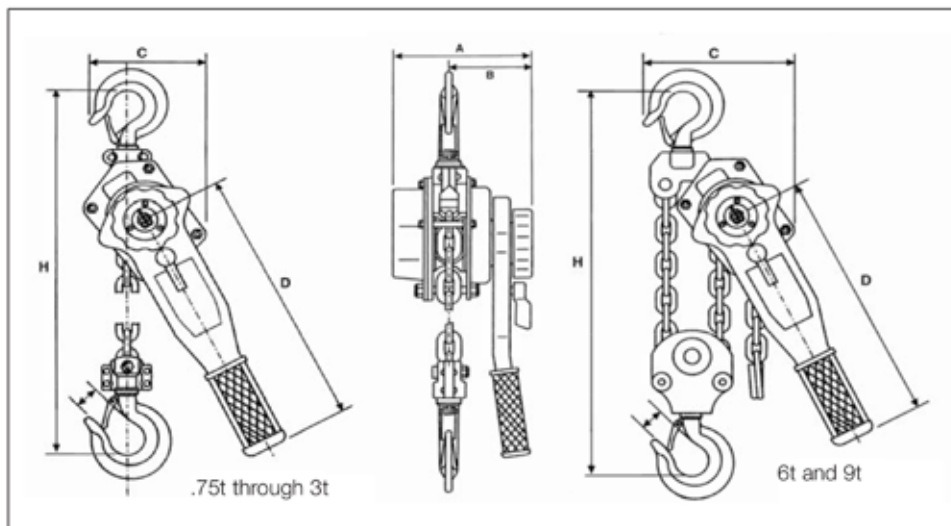
# LEVER CHAIN HOIST



## MODEL: LH

### FEATURES:

- Standard overload clutch
- Double pawl Weston style load brake
- Fully machined steel load sheaves
- Top & bottom hook tips with cast self-locking latches, for increased safety
- Fully enclosed gear train and caged internal bearings
- All exposed parts plated or powder coated for corrosion protection
- Double pawl Weston style load brake
- Conforms to ASME B30.16 - Chain Hoists and Standard B30.21 - Lever Hoists



Model	Working Load Limit	Effort to Lift Rated Load (lbs.)	Net Weight with 10 ft Lift (lbs.)	Chain Size	Falls of Chain	Dimensions (inches)					Hook Openings
						A	B	C	D	H	
TUF-LH075	.75 t	30.86	16	6	1	5.83	3.55	5.36	11.03	12.8	0.87
TUF-LH100	1 t	32.6	17	6	1	5.83	3.55	5.36	11.03	13	0.95
TUF-LH150	1.5 t	48.49	25	8	1	6.78	3.86	6.3	16.15	14.97	1.26
TUF-LH200	2 t	51.8	26	8	1	6.78	3.86	6.3	16.15	15.1	1.4
TUF-LH300	3 t	70.53	47	10	1	7.88	4.53	7.09	16.15	18.91	1.46
TUF-LH600	6 t	74.94	69	10	2	7.88	4.53	9.26	16.15	24.43	1.77
TUF-LH900	9 t	79.2	103.4	10	3	7.88	4.53	12.44	16.15	27.56	2.36

**NOTE:** Please specify chain length required when ordering, by adding a -5, -10, -15, -20 to the end of model number.

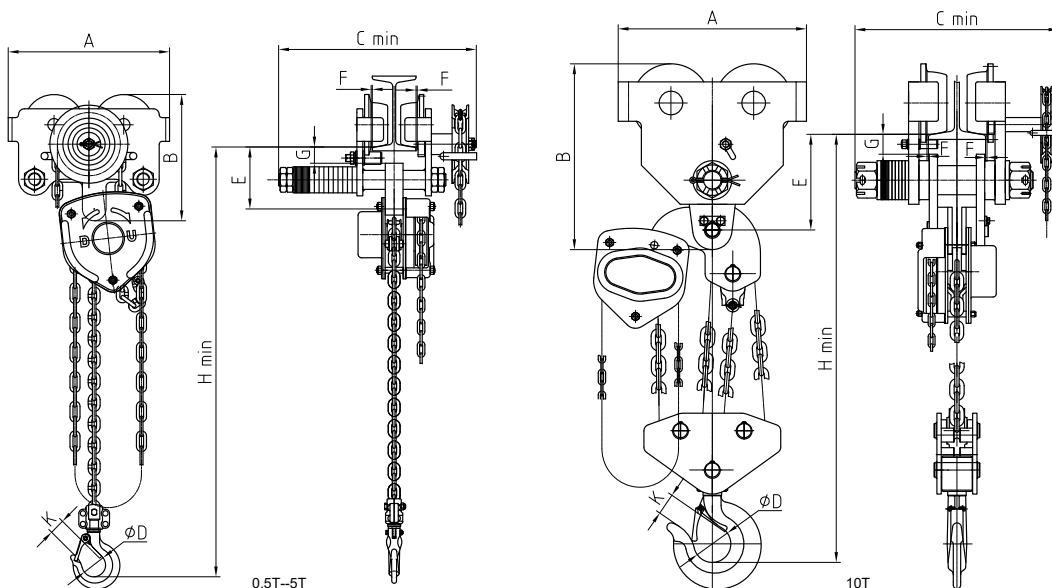
## MODEL: CCCH (CLOSE COUPLED CHAIN HOIST)

### FEATURES:

- Hoist and trolley integrated offers minimum headroom.
- Robust all steel construction.
- Minimum effort to raise load
- High strength alloy steel load chain
- Stainless steel name plates.
- Paint is baked enamel finish and all exposed parts of hoist are plated or powder coated for corrosion protection.
- Weather protected, double pawl Weston style load brake
- Cast steel safety latches.
- Load hooks equipped with thrust bearings.
- Spare parts always available.
- Equipped with overload protection as standard.
- Complies with ASME/ANSI B30 standards where applicable
- Easily adjusted to any beam width within offered ranges.
- Trolleys fitted with extended range suspension pins for wider flange widths upon request.
- Optional chain containers upon request.



Model	Capacity	I-Beam Range (inches)	Dimensions (inches)									Min. Radius Curve (ft.)	Weight w/ out Chain (lbs.)	Chain Size & Strands	Chain Weight /ft lift (lbs.)	Extended Range Avail. (in.)
			A	B	C	D	E	F	G	H	K					
CCCH05	0.5t	2-7	9.37	6.65	13.23	1.38	3.39	0.12	0.98	10.35	1.10	3	47	6mm x 1	0.54	7.09-12
CCCH10	1t	2.75-7	10.75	6.69	13.17	1.40	4.11	0.12	1.08	13.46	1.02	4	57	8mm x 1	0.92	7.09-12
CCCH20	2t	3-7	11.93	7.13	14.65	1.67	4.53	0.12	0.98	15.71	1.26	4	95	8mm x 1	0.92	7.09-12
CCCH30	3t	3-7	14.29	9.06	15.00	1.97	4.92	0.12	1.14	18.50	1.46	5	159	8mm x 2	1.84	7.09-12
CCCH50	5t	3.8-7	17.17	10.24	15.51	2.52	5.75	0.12	1.30	22.99	1.81	7	215	10mm x 2	2.96	7.09-12
CCCH100	10t	5.75-8	17.91	17.64	19.41	3.35	9.09	0.16	1.89	31.81	1.97	10	381	10mm x 4	5.92	7.87-12.99



## MODEL: StingRay Subsea Lever Hoist

### FEATURES:

- Designed & constructed for use in extreme marine environments and subsea operations
- Unique hand wheel and free wheel knob design.
- Hook tips with cast self-locking latches.
- Patented bonded brake, no brake discs required.
- Caged roller bearings on the load sprocket.
- Dacromet finish on all brake components.
- Integrated safety overload clutch.
- Weston brake with twin pawls.
- Stainless steel name plates.
- Minimum handle effort required to raise loads.
- Load chain includes adjustable End Stop.
- Nickel plated G100 alloy load chain.
- All steel construction & internal surfaces are treated with special anti-corrosive finish.
- Powder coated exterior paint finish.
- Does not require pre-load for lifting function.
- Operating temperature range from -40° to +140°.
- Meets: OSHA, ASME B30.21 and ASME HST-3
- Meets: IMCA D028 Standard (UK subsea lever hoist)

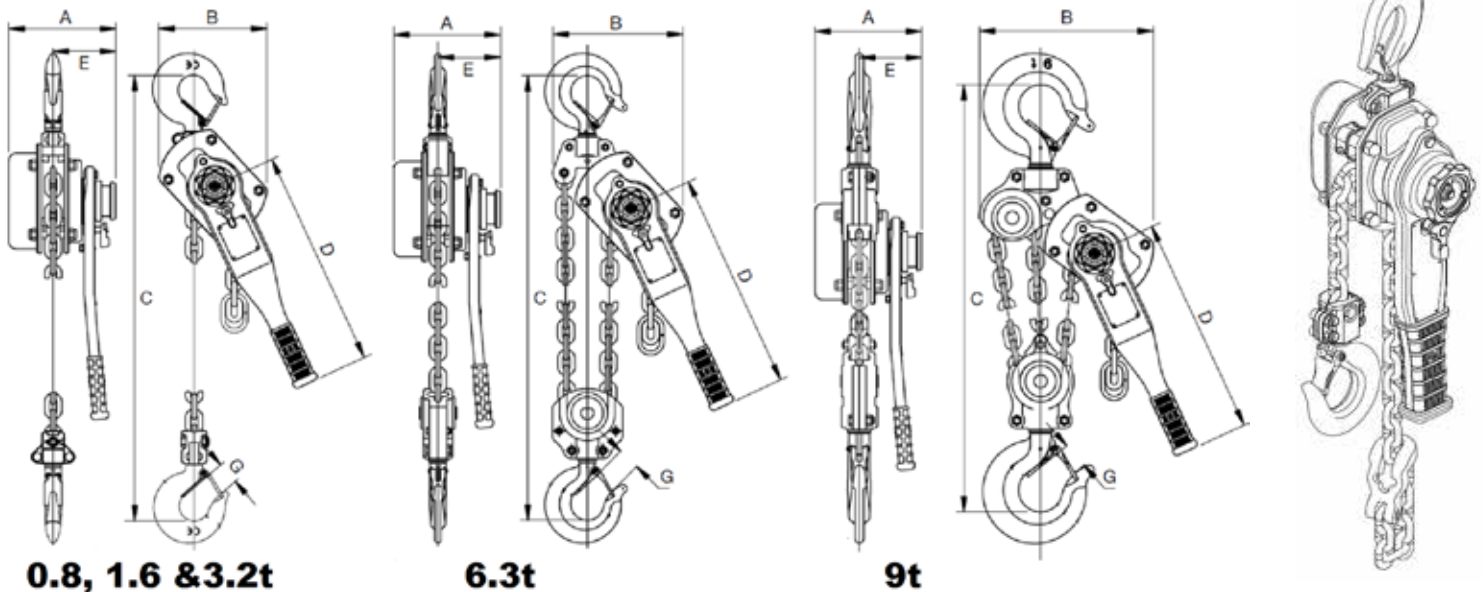


This lever hoist meets or exceeds the following governing standards:

**CE** AS 1418.2  
ASME B30.21  
IMCA D028

Model	Capacity	Pull to Lift Rated Load (lbs.)	Load Chain Size	Chain Strands	Weight w/o Chain - lbs.	Dimensions (inches)							
						A	B	C	D	E	G	S	T
TUF-SRLH8	08t	60	5.6 x 15.7 mm	1	14.5	6.3	5.2	12.6	9.4	3.9	1.1	1.5	0.6
TUF-SRLH16	1.6t	71	7.1 x 19.9 mm	1	25	7.2	6.2	14.4	10.4	4.3	1.4	1.9	0.8
TUF-SRLH32	3.2t	77	10 x 28 mm	1	45	8.2	8.3	18.3	16.5	4.8	1.7	2.3	1.0
TUF-SRLH63	6.3t	80	10 x 28 mm	2	69	8.2	10.0	23.0	16.5	4.8	1.7	2.6	1.1
TUF-SRLH9	9t	86	10 x 28 mm	3	102	8.2	13.3	27.2	16.5	4.8	2.1	3.3	1.6

Final assembly, factory acceptance testing & proof load testing of imported components carried out in USA.



These trolleys are designed to suit a wide range of monorails and fabricated beams. They have many applications in the mining, oil & gas, heavy construction and marine industries.

## MODEL: PT

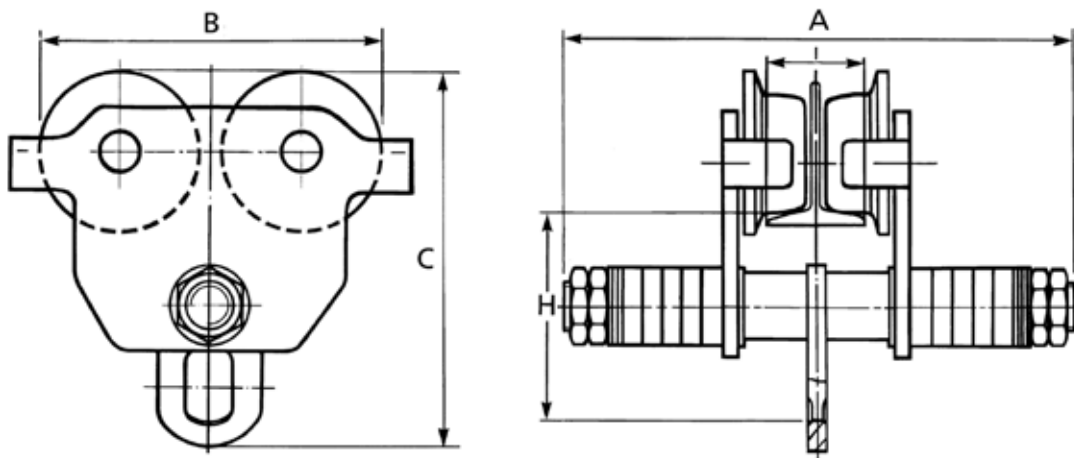
### FEATURES:

- Strong rugged construction.
- Easily adjusted to any beam width within range.
- Powder coated paint finish.
- Precision ball bearing trolley wheels with machined tread for smooth operation.
- Conforms to ASME/ANSI B30 standards where applicable.



Model	Capacity	Adjustable Beam Width (inches)*	Dimensions (inches)				Minimum Radius Curve (ft)	Weight (lbs.)
			A	B	C	H		
TUF-PT.5	0.5 ton	* Call for specifications*						
TUF-PT10	1 ton	2.52 - 8.27	12.52	10.24	9.41	5.31	3.28	31
TUF-PT20	2 ton	3.46 - 8.27	13.19	11.81	11.26	6.34	3.61	46
TUF-PT30	3 ton	4.02 - 8.27	14.31	13.58	13.23	7.4	4.26	88
TUF-PT50	5 ton	4.49 - 8.27	15.07	15.55	15.47	8.66	4.59	113
TUF-PT100	10 ton	6.5 - 8.27	16.13	17.91	19.69	11.02	5.58	198
TUF-PT200	20 ton	6.5 - 8.27	19.5	25.48	24.5	12.4	15	502

\* Trolleys fitted with extended range suspension pins for adjusting to beams with wider flange widths are available upon special request.

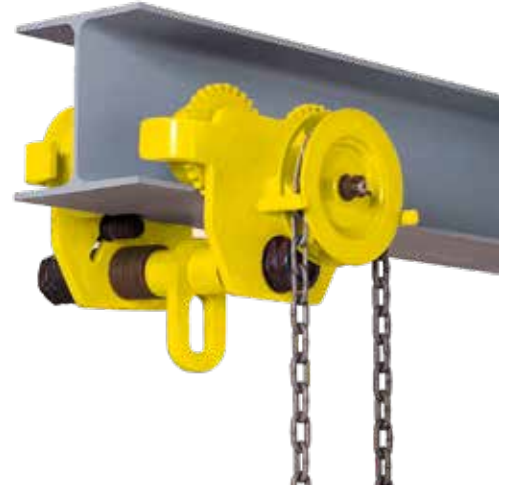


These trolleys are designed to suit a wide range of monorails and fabricated beams. They have many applications in the mining, oil & gas, heavy construction and marine industries.

## MODEL: GT

### FEATURES:

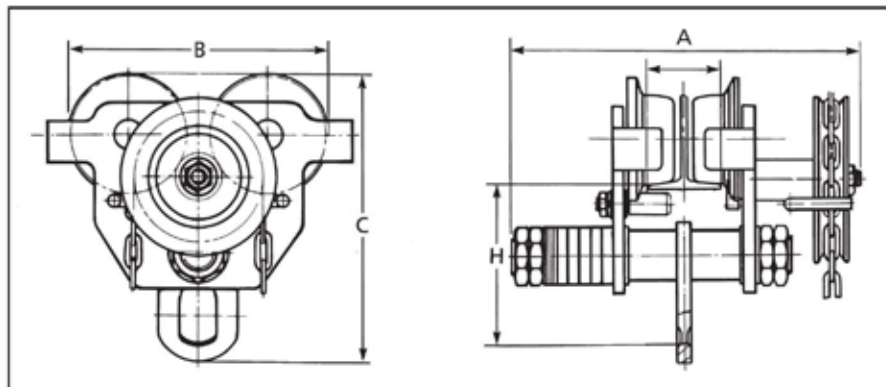
- Strong rugged construction
- Easily adjusted to any beam width within range
- Powder coated paint finish
- Precision ball bearing trolley wheels with machined tread for smooth operation
- Conforms to ASME/ANSI B30 standards where applicable



Item Number	Capacity	Adjustable Beam Width (Inches)	Clearance Dimensions (inches)				Minimum Radius Curve (feet)	Weight (lbs.)
			A	B	C	H		
TUF-GT10	1 ton	2.52 - 8.27	14.96	10.24	9.41	5.31	3.28	39.6
TUF-GT20	2 ton	3.46 - 8.27	15.35	11.81	11.26	6.34	3.61	59.4
TUF-GT30	3 ton	4.02 - 8.27	17.69	13.58	13.23	7.4	4.26	94.6
TUF-GT50	5 ton	4.49 - 8.27	18.25	15.55	15.47	8.66	4.59	132
TUF-GT100	10 ton	4.92 - 8.27	18.75	18.5	19.69	11.02	5.58	231
TUF-GT200	20 ton	4.92 - 8.27	18.43	25	19.69	13	15	502

NOTE: Please specify hand drop chain length when ordering.

\* Trolleys fitted with extended range suspension pins for adjusting to beams with wider flange widths are available upon special request.



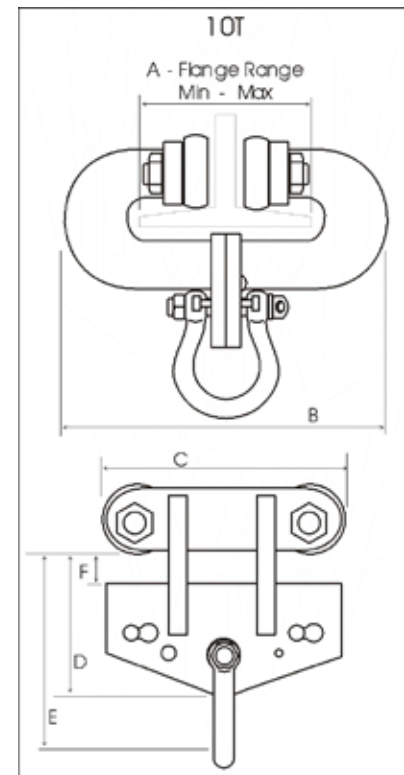
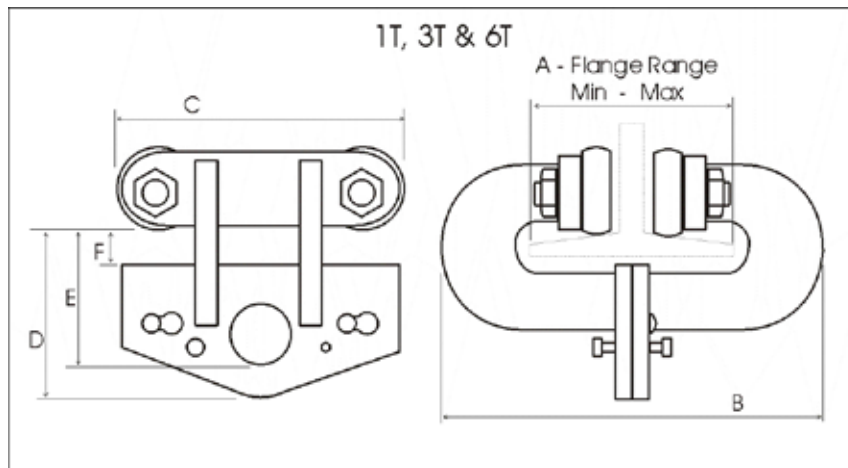
## MODEL: V2

### FEATURES:

- Quick and easy installation on beam -- No special tools required. No adjustment required. No spacers or nuts required.
- Lightweight and portable
- Fits "S" or "W" beams
- Low headroom design
- Tuffy Universal Trolleys are built to ASME B30.16 standards as applicable.



Model	Capacity	Dimensions (inches)							Weight (lbs)
		A		B	C	D	E	F	
		Min	Max						
TUF-T101-V2	1 ton	3	8.5	13.1	8.3	4.6	3.9	1.2	19.8
TUF-T301-V2	3 ton	4	8	13.3	10	6	5.1	1	44
TUF-T601-V2	6 ton	4	10	17.6	12.6	7.5	6.3	1.2	101.2
TUF-T1001-V2	10 ton	4	11	21	13	8.2	12.5	2.1	180.4





# SCREWLOCK ADJUSTABLE TROLLEYS



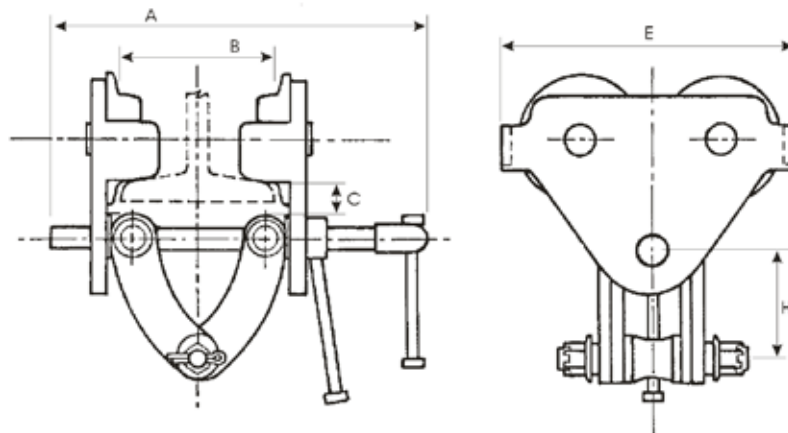
## MODEL: AT

### FEATURES:

- Hand push/pull beam trolley, easy to use, with ball bearing wheels
- Developed for moving from beam to beam in industrial applications with varying flange widths
- Adjusts to beam width by turning left and right hand adjusting bar fitted with T-Handle
- Fitted with width adjustment locking mechanism
- Wheel guards and anti-drop, anti-climb features
- Flange width adjustment accomplished with no special tools



Model	Capacity	Dimensions (inches)							Weight (lbs.)
		A	B		C	E	H		
			Min	Max			Min	Max	
TUF-AT1	1 ton	13.58	2.48	8.27	1.18	9.37	2.56	4.88	23.10
TUF-AT2	2 ton	13.58	2.99	8.27	1.54	10.87	2.56	4.88	27.50
TUF-AT3	3 ton	17.72	2.99	8.27	1.85	12.76	2.76	4.84	49.50
TUF-AT5	5 ton	18.11	3.94	12.01	2.24	13.78	2.91	6.30	92.50
TUF-AT10	10 ton	22.50	6.00	13.50	2.50	18.00	4.50	7.00	215.00



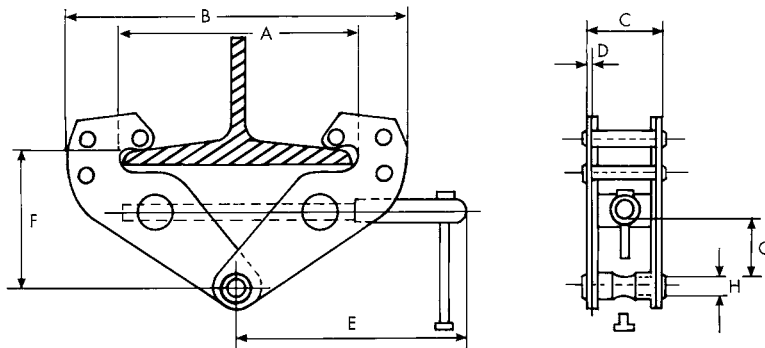
## MODEL: GC

### FEATURES:

- All steel construction
- Special design reduces flange stress
- Adjustable clamp ensures a secure fit for a range of beam and girder sizes
- Low headroom design



Model	Capacity	Adjustable Beam Width (inches)	Dimensions (inches)										Max Flange Thickness	Weight (lbs.)
			A	B		C	D	E	F		G	H		
				Min	Max				Min	Max				
GC1	1 ton	2.95 - 8.66	10.23	7.08	14.17	2.51	.19	8.46	4.01	6.10	.98	.86	0.75	10
GC2	2 ton	2.95 - 8.66	10.23	7.08	14.17	2.91	.23	8.46	4.01	6.10	.98	.86	0.75	11
GC3	3 ton	3.15 - 12.59	13.93	9.25	19.29	4.05	.31	10.23	5.5	8.85	1.77	.94	1	21
GC5	5 ton	3.15 - 12.59	13.93	9.25	19.29	4.33	.39	10.23	5.5	8.85	1.77	1.10	1.25	24.25
GC10	10 ton	3.15 - 12.59	14.37	12.59	19.88	4.72	.47	11.02	6.69	9.25	1.96	1.57	1.25	35.25
GC20	20 ton	9.84 - 17.32	20.48	19.68	27.68	9.45	0.63	16.97	15.59	13.78	4.02	2.76	2.48	132
GC30	30 ton	9.84 - 17.32	20.99	20.79	28.66	10.55	0.79	17.01	16.06	14.41	4.72	2.83	2.99	174



# TERMS & CONDITIONS



1. **PRICE:** All prices are subject to change without notice and are not guaranteed, except that prices for an order that have been accepted by Tuffy and/or its affiliates ("Seller") are not subject to change after acceptance. Prices stated do not include any sales, use or excise tax or any other tax, duty or charge which is now in effect or may be hereafter imposed by any Federal, State or other authority. All such taxes, duties or other charges shall be paid by Buyer unless Buyer shall provide Seller an exemption certificate acceptable to the appropriate authorities.

2. **TERMS:** Terms are net 30 days from the date of Seller's invoice. For Seller's invoices which are not paid within the foregoing terms, Seller shall have the right, in addition to all other rights and remedies, to assess a late payment charge of one and one-half percent (1½%) (or the maximum allowed by law, if less) per month on the outstanding balance. In addition, Buyer shall be responsible for any and all fees and expenses incurred by Seller in collecting any payments due hereunder, including, but not limited to, attorneys' fees and collection costs. If any check tendered by Buyer in payment is dishonored upon presentment for payment, then Seller, in addition to all other rights and remedies contained herein, may assess a dishonor charge of Fifty Dollars (\$50.00).

3. **ORDERS AND ACKNOWLEDGEMENTS:** Seller reserves the right to refuse orders which may be submitted to it and will not be bound to fill any orders unless or until they have been accepted by Seller. Except as otherwise specifically set forth in writing, executed by Seller and Buyer, these Terms and Conditions of Sale shall govern the rights and obligations of the parties to the exclusion of any other terms and conditions. These Terms and Conditions of Sale shall govern in the event of any conflict with any terms proposed by Buyer, and are not subject to change by reason of any written or oral statements by Buyer or by any terms stated in Buyer's purchase order or confirmation of its order, unless such conflicting or additional terms are accepted in a writing making reference to this order and signed by an authorized representative of Seller.

4. **ORDER CHANGES:** Any Buyer requested changes to an existing order may result in new scheduled ship date for that order. If, pursuant to Buyer written direction or request, any change is made in the products to be furnished or any work to be performed, the agreed price will be equitably adjusted to reflect such change and the time for completion will be extended to the extent required to make such change. No change is binding on the parties unless mutually agreed in writing by the parties. These Terms and Conditions of Sale are subject to revision and change by Seller without notice, however, the then current Terms and Conditions of Sale shall be applicable to an order at the time it is accepted by Seller. Submission of an order by Buyer shall be conclusive evidence of acceptance of these Terms and Conditions of Sale.

5. **SHIPMENTS:** Prices and deliveries of products are Ex Works Seller's facility. Upon delivery of shipments to the carrier, title to, and the risk of loss or damage in transit for, such shipments passes to Buyer. Shipping schedules are estimates only which cannot be guaranteed because of the nature of Seller's products, and material, labor and manufacturing conditions beyond Seller's reasonable control. Under no circumstances shall Seller be responsible for any inability or delay in meeting shipping schedules or for any loss or damage (whether direct or consequential) resulting therefrom.

6. **CLAIMS:** Claims on prices must be submitted within seven (7) days from the date of Seller's invoice. Claims on errors in shipments must be submitted within seven (7) days from the date of delivery of the products.

7. **RETURNS.** No products are to be returned to Seller without prior approval from Seller. Credit or replacement will only be made after a thorough inspection of the products has been made by Seller's representative and investigation shows that it is defective, or was shipped in error. A return authorization will be given to Buyer by Seller's sales representative for returnable merchandise and must accompany the shipment. Seller retains the right to apply a 25% restocking charge on returns. Unique or specialty products are not returnable.

8. **CANCELLATIONS:** Cancellation of orders or any portion thereof will be allowed only with Seller's prior written consent and the payment of such cancellation charges as Seller may determine. Cancellation will not be accepted on products that are not regular stock, which are in the process of manufacture or customization, or are ready for shipment. Orders for unique or specialty products are not subject to change or cancellation without written approval from Seller and upon the condition that Buyer pays Seller applicable cancellation charges.

9. **MATERIAL AND FINISHES:** Specifications, weights, dimensions and descriptions are estimates but are not guaranteed and are subject to change without notice. Seller reserves the right to furnish materially equivalent substitutes for materials which cannot be obtained in sufficient quantities due to existing shortages. Cosmetic blemishes which do not affect performance shall not be considered a defect.

10. **WARRANTY.** As a distributor of products manufactured by others, Seller extends to Buyer any and all assignable warranties from the manufacturer of the product. Seller makes no warranties beyond those extended by the respective manufacturers. For products customized by Seller, Seller warrants to Buyer that such products sold hereunder

shall be in compliance with the written specifications accepted by Seller. This warranty does not cover any damage or defect which arises in whole or in part from any act or omission by Buyer or by any other person or entity after delivery of the products Ex Works. No claim against Seller will be allowed unless asserted in writing within 90 days from the date of shipment of the products alleged to be defective. Notwithstanding anything to the contrary, Buyer's exclusive remedy for Seller's breach of the warranty set forth in this Section 11 shall be limited to either repair or replacement of non-conforming products or, in the sole discretion of Seller, an adjustment in the purchase price of the non-conforming products. In no event shall Seller's liability under this Agreement exceed the purchase price of the allegedly non-conforming products.

11. **LIMITATION OF WARRANTY.** EXCEPT FOR THE WARRANTY SET FORTH IN SECTION 10 ABOVE, SELLER MAKES NO OTHER REPRESENTATION OR WARRANTY OF ANY KIND, EXPRESS OR IMPLIED, INCLUDING, WITHOUT LIMITATION, EXPRESS OR IMPLIED WARRANTIES OF MERCHANTABILITY OR FITNESS FOR A PARTICULAR PURPOSE WITH RESPECT TO THE PRODUCTS.

12. **LIMITATION OF LIABILITY.** SELLER SHALL NOT BE LIABLE TO ANY PERSON OR ENTITY FOR ANY INCIDENTAL, CONSEQUENTIAL, SPECIAL OR INDIRECT DAMAGES (INCLUDING, WITHOUT LIMITATION, LOST PROFITS OR BUSINESS INTERRUPTION LOSSES) AS A RESULT OF THIS AGREEMENT (OR THE BREACH HEREOF) OR SUCH DAMAGES SUFFERED BY ANY PURCHASER OR END USER OF ANY PRODUCTS, WHETHER ARISING IN TORT, CONTRACT OR OTHERWISE.

13. **DEFAULT:** If Buyer shall become overdue on its account or otherwise defaults in any payment to Seller or if its financial condition shall at any time seem to Seller otherwise inadequate to warrant further shipment on an open account basis, Seller shall have the right, without liability, to refuse to accept any or all orders, to cancel any and all orders, to delay shipments to Buyer, or to require advance payment before accepting or shipping any orders.

14. **NON-ASSIGNMENT:** Buyer shall not assign its orders nor any of its rights or obligations thereunder without Seller's prior written consent.

15. **CHOICE OF LAW:** These Terms and Conditions of Sale and any subsequent sales agreements between Seller and Buyer shall be governed by the laws of the State of Texas without regard to its conflicts of law principles. Each party hereto irrevocably consents to the jurisdiction of the courts of the State of Texas and agrees that the exclusive venue for any suit arising from or relating to these Terms and Conditions of Sale is Houston, Texas. EACH PARTY TO THIS AGREEMENT WAIVES ANY RIGHT TO A TRIAL BY JURY IN ANY ACTION BROUGHT IN CONNECTION WITH THESE TERMS AND CONDITIONS OF SALE. The United Nations Convention on Contracts for the International Sale of Goods expressly does not apply to this sale of goods

16. **WAIVER AND MODIFICATION:** No waiver or modification of any of the terms and conditions contained herein shall be effective unless such waiver or modification is in writing and signed by an authorized representative of Seller.

17. **EXCUSABLE DELAY:** Seller will not be liable for any delay in the performance of orders or contracts, or in the delivery or shipment of products, or for any damages suffered by Buyer by reason of such delay, when such delay is, directly or indirectly, caused by, or in any manner arises from any Act of God, or the public enemy, war, compliance with law, governmental act or regulation, fire, flood, quarantine, embargo, epidemic, unusually severe weather, strike, work stoppage, acts or omissions of carriers or other cause (whether or not similar in nature to any of these herein before specified) beyond the control of Seller. In the event of such delay, there will be no termination and the date of delivery or of performance shall be extended for a period equal to the time loss by reason of the delay.

18. **PATENT INFRINGEMENT:** Seller takes no responsibility for the suitability of Buyer's designs or installation procedures. If any products are manufactured or sold by Seller to meet Buyer's particular specifications or requirements and are not part of Seller's standard line offered by it to the trade generally in the course of Seller's business, Buyer agrees to defend, protect and save harmless Seller against all suits at law or in equity and from all damage, claims and demands for actual or alleged infringement of any United States or foreign Letters Patent and to defend any suit or action which may be brought against Seller for any alleged infringement because of the manufacture or sale of the products covered hereby.

19. **CERTIFICATIONS:** All certification and verifications related to products (and the documentation associated therewith), including, but not limited to, certifications for testing and re-verification of products, shall be and remain the property of Seller.

20. **DISCLOSURE OF INFORMATION:** Any information, suggestions, or ideas transmitted by Buyer to Seller in connection with the performance hereunder shall not be deemed a secret or confidential or submitted in confidence to Seller, except as may be specifically agreed to in writing by Seller.

# Tuffy Hoist Catalog



**Proudly Distributed By:**



702 Industrial Way  
Longview, WA 98632  
(360) 577-8030

103 State Street  
Sedro Woolley, WA 98274  
(360) 855-0331

[sales@woodslogging.com](mailto:sales@woodslogging.com)  
[www.WoodsIndustrialSupply.com](http://www.WoodsIndustrialSupply.com)